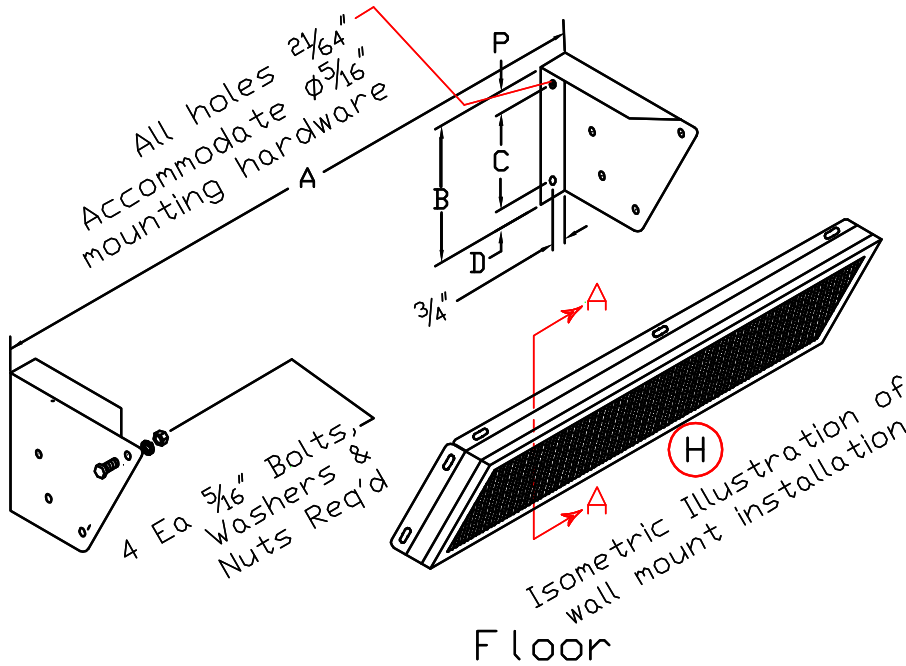
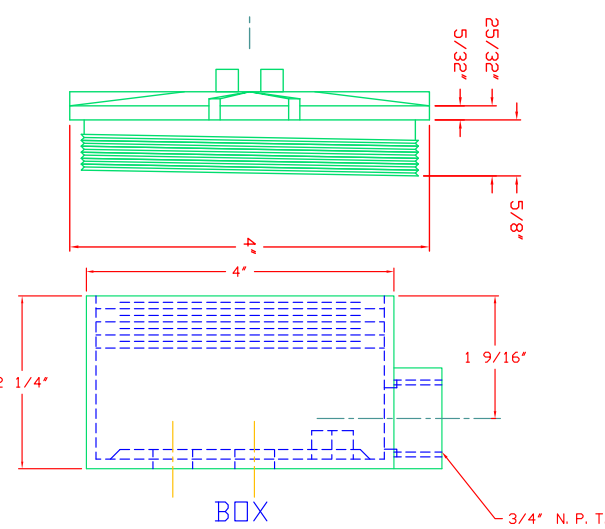
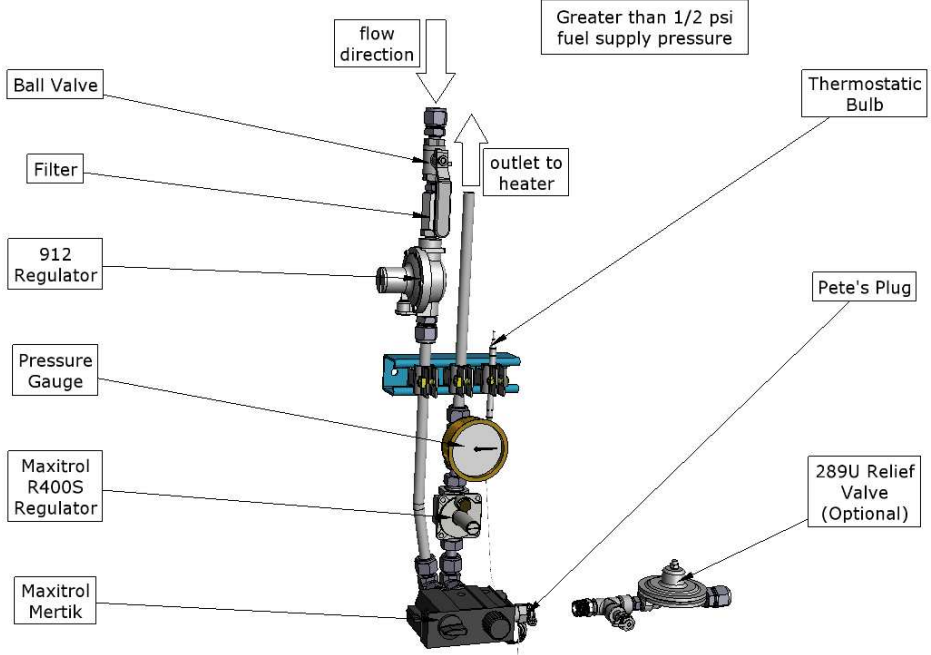


Bruest Catalytic Heaters

Installation Guidelines for Area Heating



Floor



1. Mount the heater onto a solid wall or fixture. Wall mounting brackets are available, but all heaters also have mounting tabs and slots. The wall mounting bracket aligns with those slots and allows for the heater to be aimed at various angles.
2. The Bruest heater requires 3.5" of water column fuel supply pressure. Be sure the pressure leading into the heater fuel inlet does not exceed that pressure. 1.5" w.c. is the minimum operating pressure.
*The fuel inlet is located at the center of the back side of the heater panel.
3. The manifold shown on this document is the "Area Heat Kit" which is an available option with area heating applications. It includes regulators rated for up to a 50 psig fuel supply, and will reduce to the required 3.5" of w.c.. It also includes a control valve, the Maxitrol Mertik. This valve connects to the heater panel with a thermocouple wire, which is required for operation. Be sure the heater and control valve are close enough for the thermocouple to be properly installed.
*Longer thermocouples are available, but at additional cost beyond the standard length (60" and 72" available as standards, up to 144", (72" + 72" extension) with optional Heavy Duty thermocouple)
4. The fuel supply line needs to run through the area heat kit first, and from the outlet side of the area heat manifold into the heater. 50 psig or less is the recommended pressure leading into the area heat manifold.

5. Electrical install: Bruest catalytic heaters are started via electrical preheating, ~30 minutes to start a single panel. The electrical connections are made within the explosion proof junction box on the heater's back side. Check the heater tag (also on the back) for voltage & amperage draw. There will be either 2 or 4 terminals in the junction box, if there are 4 they will be paired into 2 groups tied together with a jumper strap. Connect the positive wire to one terminal (or one pair of terminals if there are jumper straps) and the negative to the other terminal. The order does not matter, so long as they are on separate terminals that aren't connected.
*Do Not reconfigure the jumper straps within the junction box, they should be set up as required from the factory.
**All switches, timers, etc. are customer supplied